

## RT30 WINCH

**Part Number:** 76000

**Rated Line Pull:** 3000 lbs. (1360 kgs)

**Motor:** 12V DC, 0.9 hp (0.7 kW) Permanent Magnet, Sealed

**Controls:** Remote Control, 10 ft. (3.0 m) lead and Handlebar Mounted Mini Rocker

**Gear train:** 3-Stage Planetary

**Gear Ratio:** 154:1

**Clutch (Freespool):** Sliding Pin and Ring Gear

**Brake:** Roller Disk

**Drum diameter/length:** 2.0"/2.9" (52mm/74mm)

**Kit Shipping Weight:** 27.6 lbs. (12.5 kgs)

**Rope:** Galvanized Steel Wire,  $\varnothing$  3/16" x 50' ( $\varnothing$  4.8mm x 15 m)

**Fairlead:** Roller

**Recommended Battery:** 12 Amp/hr minimum

**Duty Cycle:** Intermittent

**Battery leads:** 6 gauge

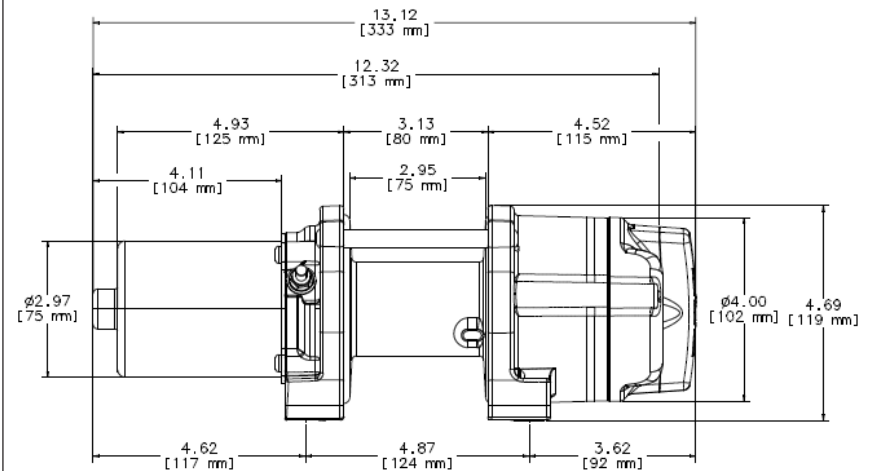
**Finish:** Steel Grey Powder Coat

**Warranty:** Limited Lifetime

**Mounting Bolt Pattern:** 3.0" x 4.88" (76mm x 124mm)

**Winch Dimensions:** 13.12" L x 4.51" D x 4.69" H (33.3cm L x 11.5cm D x 11.9cm H)

**Winch Weight:** 15.6 lbs. (7.1 kgs)



## PERFORMANCE DATA

Load <u>lbs. (kgs)</u>	Current <u>(Amps)</u>	Speed <u>Ft/min. (m/min.)</u>
3000 (1360)	198	4 (1.2)
2500 (1134)	158	6 (1.8)
2000 (907)	125	8 (2.4)
1500 (680)	96	11 (3.3)
1000 (454)	67	13 (4.0)
500 (227)	39	16 (4.9)
0	15	18 (5.5)

Pull by Layer <u>Layer/lbs. (kgs.)</u>
1/3000 (1360)
2/2580 (1170)
3/2220 (1007)
4/1910 (866)

## DUTY CYCLES

Load <u>lbs(kgs)</u>	Run Time	Distance <u>ft.(m)</u>	Cool Time <u>(min)</u>
0	2.5 min	50 (15.2)	12
500 (227)	2.0 min	32 (9.7)	10
1000 (455)	1.0 min	14 (4.3)	10
1500 (680)	25 sec	5 (1.5)	10
2000 (907)	15 sec	2 (0.6)	10
2500 (1134)	10 sec	1 (0.3)	10

## SERVICE INSTRUCTIONS

Should you encounter a problem during installation or operation of your winch, please follow these steps toward resolving the problem:

1. Refer to your operator's guide and installation instructions. It has illustrations and detailed information on the installation and safe and proper operation of your winch. It also includes a replacement parts list and assembly diagrams. If you are unable to resolve the problem, then go to step 2.
2. Contact your dealer where you purchased your winch. If, after discussing the problem with their parts and service staff, you are still unable to resolve the problem then go to step 3.
3. Call an Authorized WARN Service center from the list provided on the back of the warranty sheet included with the product. When calling, please have the following information available: winch model number and purchase date, make, model and year of vehicle.
4. If you are unable to resolve the problem to your satisfaction, please call Warn Industries Customer Service at: 1-800-543-9276. When calling, please have the following information available: winch model number and purchase date, make, model and year of vehicle. You may also contact Warn Industries by visiting our website: [www.warn.com](http://www.warn.com)

## SERVICE/UPGRADE KITS

Wire Rope Assy, 3/16" x 50ft .....	PN 60076
Synthetic Rope Kit, 3/16", w/Fairlead .....	PN 72128
Synthetic Rope Kit, 3/16" .....	PN 73599
Contactora, 12 VDC .....	PN 63070
Remote Control, 10ft lead .....	PN 64849
Socket Assembly, Remote Control .....	PN 69648
Roller Fairlead Kit .....	PN 28929
Plate, Fairlead Mount .....	PN 69901
Hook Kit, 5/16" Clevis w/Strap .....	PN 39557
Strap, Hook .....	PN 69645
Switch Kit, Mini Rocker .....	PN 64851
Remote Control, Wireless .....	PN 74500
Boot Electrical, 6 ga. (2 pair) .....	PN 76997
Cable Assy Kit, 6 ga. Black/Red 32" .....	PN 76853
Cable Assy Kit, 6 ga. Blue/Yellow 88" .....	PN 76854

## WINCH SERVICE KITS

Kit PN	Items in Kit
73900	1, (2)20
69637	(2)2
74925	3, 7, 12, (2)29, 31
74995	4, 5
74922	6
74997	8
74920	(2)10, (4)19, 22
74917	9, 11, (2)19
75005	13
75004	14
74918	15
75002	16
74999	17
74919	18
74919	23, 24, 25, 26, 27, 28, (2)29, (2)30, 31, 32, (6)33, 34, 35, 36, 37
74921	35, 36, 37
76873	37
74923	24, 25, 26, 27, 28, 31
74926	15, 30, 34
74930	(2)20, (6)21
74916	22